

Country of Origin : China
 Operating Temperature : 0 ~40 [°C]
 Dimension : 92 x 38 x 30 [mm]

Approvals / Marks :



Efficiency level (ErP)



GREEN MODE



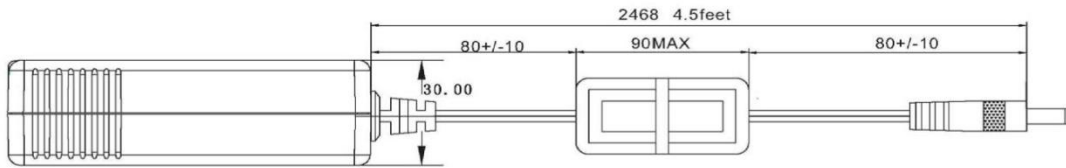
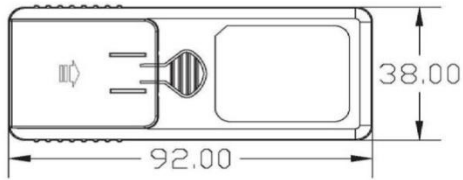
Features:

Changeable plugs for EU, US, UK and Aus type of country use.	Wide range Input (90 ~ 264)VAC / (47 ~ 63) Hz.
Over load, over voltage & short protection.	For I.T.E. use only + RoHS conform.

Specification:

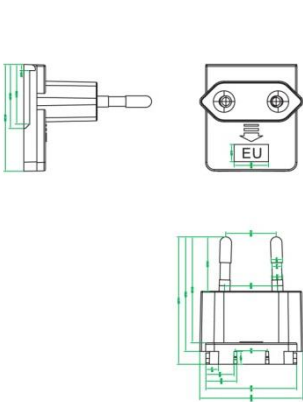
		OUTPUT								
	Model	Voltage DC [V]	Loading [A]	Tol. [V]	OCP [A]	OVP [V] max	Efficiency [%]	Max. Power [W]	Ripple & Noise [mV]p-p	Connector [mm] UL approved
ErP V.	SYS1003-3612-Wxx	12	0.05~3.0	11.4~12.6	3.6~7.50	13.2~17.4	≥ 84.64	36	120	2.1x5.5x11
	SYS1003-3624-Wxx	24	0.05~1.5	22.8~25.2	1.8~3.75	26.4~31.8	≥ 84.64	36	240	2.1x5.5x11
OEM Production	This model has been designed and certified for max output Pout/Uout=21W/4.2V ~ 40W/25V. In steps 0.1V for Uout and 1W for Pout. For more details ask us.									
INPUT	Voltage	(90 ~ 264) VAC								
	Frequency	(47 ~ 63) Hz								
	Current	1,5A rms@ 100V AC and DC output full load								
	Surge Current max.	40/60Amax. @ power supply cold start, ambient temperature 25°C @115Vac/230Vac nominal AC input.								
	Leakage current	0.25mA Max.								
PROTECTION	Over load	OCP	The power supply shall be self-recovering when the fault condition is removed.							
	Over Voltage	OVP	The power supply shall be self-recovering when the fault condition is removed.							
	Short Circuit	Automatic recovery								
	Input protection	2.5A fuse								
	Dust and Liquid	IP20								
	Protection class	II.								
OTHERS	Insulation Resistance	Input to output: 50M OHM at 500VDC.								
	Dielectric Strength	I/P-O/P (FG): 3KVAC / 10mA / 1 min								
	Turn on delay	5000 ms max. @ AC low line input @ output full load								
	Hold-up Time	10ms @ AC nominal Input and Output full load (1 half cycle)								
	MTBF Qualification	50K hours full rated load operation at 25°C, according to the MIL-STD-217F.								
	DC cable & connector	2468#20AWG*2C/4.5feet PVC BLACK 80°C - 2.1*5.5*11mm/180° Center "+" or depends on request								
	Efficiency (typical)	The efficiency shall be higher than ≥ 84.64% typical while measuring at nominal line and maximum load. (EuP2)								
	Power Consumption	The input power should less than ≤ 0.3W with output no load at 115VAC/230VAC input.								
		Burn-in	2h							
	Cooling	The power supply will operate with convection cooling.								
	Input Fuse	250VAC / 2.5A protected against power line surges and any abnormal conditions								
ENVIRONMENT	Temperature	Operating: (0 ~ 40)°C / Storage: (-20 ~ 80)°C								
	Humidity	Operating: (10 ~ 90)% RH / Storage: (20 ~ 90)% RH non condensing								
SAFETY		CE CB TUV/GS cUL FCC C-Tick								
EMC	EMI	FCC part 15 CLASS B : 2008, EN55022,CLASS B								
		IEC60950-1:2005 EN55022:2006+A1:2007 EN55024:1998+A1:2000 + A2:2003 EN61000-3-2:2006 EN61000-3-3:1995+A:2001 + A2:2005 EN60950-1/A11:2009								
WEIGHT	1pc	N.W.: 145g / pc								
PACKING	Box	0.420 x 0.270 x 0.310 [m]								
		50 pcs / 1box								
		G.W.: 10kg / box								

Mechanical case specification:

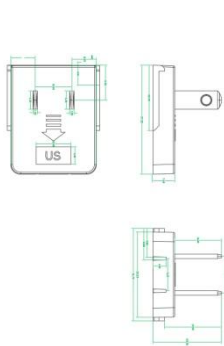


Mechanical specification (country housing):

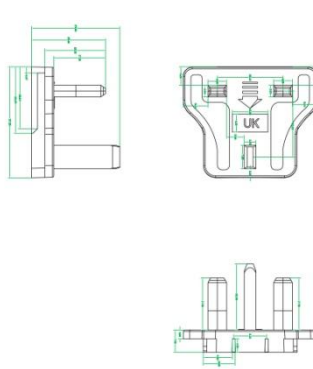
a) EU type (W2E)



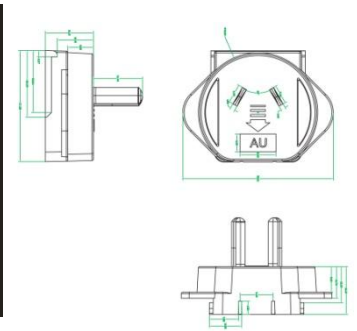
b) USA type (W2)



c) UK type (W3U)



d) Australia type (W2A)



Cable specification:

2468#20AWG*2C/4.5feet PVC BLACK 80°C - 2.1*5.5*11mm/180° Center "+"

